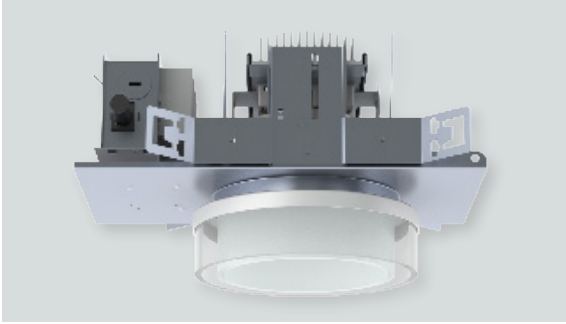




# ILLUMITECH DECORATIVE ACCENT OS SERIES / 4500 LUMENS MAX



## SGE6LEDOS - DECORATIVE TRIM / NON-IC RATED

### APPLICATION

Illumitech decorative accent LED series creates ceiling brightness and visual interest while delivering performance illumination.

### FEATURES

Decorative accent elements mechanically attach to reflector trim. Two-stage optical system for smooth light distribution. Zhaga International Standard LED module for ease of maintenance and replacement. Shallow plenum design. Tool-less LED module, driver and J-Box access. Multi-Bar mounting brackets. BH27 Standard mounting bars included. Posi-lock trim retention torsion springs. Integral 0.625" collar.

### DECO BAND FINISH

A variety of architectural powdercoat finishes are available.

### ELECTRONICS

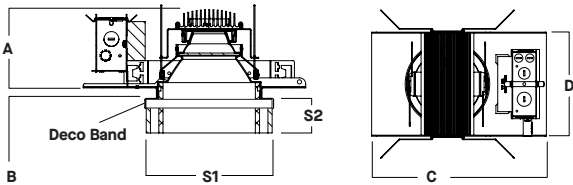
LED module features high brightness white Osram LEDs. 3-step MacAdam Ellipse binning and CRI 84 minimum. Full range of electronic 120V/277V and dimming drivers.

### CONSTRUCTION

Housing/frame constructed of #20 ga. galvanized steel to resist corrosion. Self-flanged one piece trim spun from 0.063" high purity aluminum and finished to specification. Illumitech Deco trim fabricated from cast optical quality acrylic. Passive machined aluminum heatsink.

### CODE COMPLIANCE

BAA Compliant. Non-IC rated. ETL certified to meet US and Canadian standards. Suitable for dry or damp locations. Optional Wet location. LM79/LM80/TM21 data available. Manufactured and tested to UL standards No. 1598/8750.



A	B	C	D	S1	S2
4.7 119.38 mm	0.625 15.87 mm	13.25 336.55 mm	7.9 200.7 mm	75 190.5 mm	2.0 50.8 mm

WATTAGE TO LUMENS UPDATE					
CURRENT PART NUMBER EXAMPLE	PREVIOUS PART NUMBER EXAMPLE	SOURCE LUMENS <sup>1</sup>	DELIVERED LUMENS <sup>2</sup>	SYSTEM WATTS	LPW
SGE6LEDOS10L	SGE6LEDOS14W	1100	924	13	71
SGE6LEDOS20L	SGE6LEDOS25W	2000	1172	15	78
SGE6LEDOS30L	SGE6LEDOS35W	3000	1510	22	69
SGE6LEDOS45L	N/A	4500	2253	30	76

SERIES	LUMENS <sup>1</sup>	CCT	DRIVER / VOLTAGE <sup>3</sup>	OPTIONS <sup>5</sup>	TRIM	DECO BAND FINISH	TRIM OPTIONS			
SGE6LEDOS	10L	1100 Lm	<b>E</b> Electronic Driver <b>DS10</b> 10%, 0-10V <b>DO10</b> 1%, 0-10V <b>DS2W1</b> 1%, ELV/MLV, 120V <b>DL3E</b> 1% Lutron® EcoSystem®, Fade <b>EL10</b> 1%, eldoLED <b>ED01</b> 0.1%, eldoLED <b>DALI</b> DALI Control <b>DMXS<sup>4</sup></b> DMX Standard Configuration <b>DMXC<sup>4</sup></b> DMX Non-Standard Custom	<b>1</b> 120V <b>2</b> 277V	<b>BH27<sup>6</sup></b> 27" Solid Bars <b>H12</b> 12" - 24" Expandable Bars <b>CB24</b> 24" C-Channel Bars <b>EB</b> Fixture Painted Black <b>PR<sup>7</sup></b> Deep Ceiling Extension <b>GR</b> Goof Ring <b>ZIG<sup>8</sup></b> ZigBee Module <b>EM<sup>9</sup></b> 7W Emergency Battery Test Switch Remote	<b>AR6223OS</b> <b>FAI/CAO</b> Frosted In Clear Out  <b>AR6223OS</b> <b>CAI/CAO</b> Clear In Clear Out	<b>MW<sup>10</sup></b> Matte White <b>PT</b> Platinum Silver <b>SN</b> Sun Gold <b>BA</b> Brushed Aluminum <b>CC<sup>11</sup></b> Custom Color	<b>SO<sup>12</sup></b> Micro Prism Solite™ Lens <b>WL</b> Wet Location		
	20L	2000 Lm							30K	3000K
	30L	3000 Lm							35K	3500K
	45L	4500 Lm							40K	4000K
						Flange and Reflector always Matte White				

**EXAMPLE:** SGE6LEDOS20L35KE1/AR6223OSFAI/CAOBASO

**NOTES:**  
 1 Nominal Source Lumens at 35K 2 Nominal Delivered Lumens 84 CRI at 35K with MW SO 3 Contact Factory for Additional Options 4 Contact Factory 5 See Product Options Page for Details 6 Standard Bar Hangers  
 7 Contact Factory 8 Order DS101/2 When Specifying ZIG 9 Standard EM 10 Standard Finish 11 Contact Factory for Special Finishes 12 Required



PROJECT: \_\_\_\_\_  
 TYPE: \_\_\_\_\_



Dimensions and values shown are nominal. Spectrum Lighting continually works to improve products and reserves the right to make changes which may alter the performance or appearance of products.

# ILLUMITECH DECORATIVE ACCENT

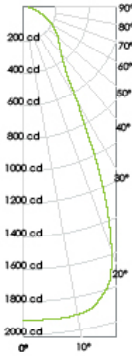
## OS SERIES / PHOTOMETRIC DATA

recessed  
fixtures



SGE6LEDOS 30L 35K DS101 AR6223OS FAI CAO MW SO

### CANDLEPOWER CURVE TEST SP-00921



### INTENSITY CANDELA 0° AZIMUTH

0.00°	
0.00°	1,910
5.00°	1,911
10.00°	1,904
15.00°	1,834
20.00°	1,573
30.00°	646
40.00°	357
50.00°	275
60.00°	196
70.00°	120
80.00°	64
90.00°	30

### ZONAL LUMENS

0° - 10°	185	8%
0° - 20°	691	31%
0° - 30°	1,178	52%
0° - 40°	1,463	65%
0° - 60°	1,914	85%
0° - 80°	2,164	96%
0° - 90°	2,213	98%
Total	2,253	100%

### SINGLE UNIT: PERFORMANCE INITIAL FOOTCANDLES BASED ON IES BEAM ANGLE

Mounting Height AFF	FC at Center on Floor	Beam Diameter	FC at Beam Edge
5.5'	63 fc	5.4'	23 fc
6.5'	45 fc	6.4'	16 fc
7.5'	34 fc	7.4'	12 fc
8.5'	26 fc	8.4'	10 fc
10.0'	19 fc	9.8'	7 fc
12.0'	13 fc	11.8'	5 fc
14.0'	10 fc	13.8'	4 fc
16.0'	7 fc	15.7'	3 fc

### MULTIPLE UNITS: PERFORMANCE 80/50/20% REFLECTANCES INITIAL FOOTCANDLES AND WATTS PER SQUARE FOOT

Ceiling Height	Fixture Spacing	RCR 2		RCR 4	
		FC +	W/Sq. Ft.	FC +	W/Sq. Ft.
9'	4'	130	1.79	108	1.79
12'	6'	61	0.84	50	0.84
16'	8'	30	0.42	25	0.42
Delivered Illuminance Rating: (DIR)		72 FC per W/Sq. Ft.		60 FC per W/Sq. Ft.	
Recessed Mounting Square rooms used for multiple units: - RCR 2: Length & Width = Ceiling Ht. -2.5' x 5.00 - RCR 4: Length & Width = Ceiling Ht. -2.5' x 2.50 + Average Footcandles at 2.5' Above Floor					

Delivered Lumens: 2,253  
Luminaire Watts: 29.6  
LER: 76.11

CP at 0deg (Nadir): 1,910  
CRI: 80+

Beam Angle: 52.4  
Spacing Ratio: 0.86

Lumen Multiplier: 10L x 0.41, 15L x 0.52, 20L x 0.67  
CCT Multiplier: 27K x 0.89, 30K x 0.95, 40K x 1.03